

EARTHMOVING TYRES

AEOLUS-TYRES.COM

AEOLUS

NO MATTER WHAT

NO MATTER WHAT

- 04 About Aeolus Tyres
- 05 Hence Aeolus
- 06 Total supplier
- 07 Used OTR tyres

- 08 Use overview
- 10 Aeolus team
- 11 OTR tyres -
Patterns and sizes

- 28 Industrial tyres -
Patterns and sizes
- 31 Technical information



Ever since entering the European market (2004), we have been supplying tyres that offer the highest quality in their respective product segments. Tyres designed in accordance with European quality norms and ideal for the most demanding circumstances. We use high performance and the best price to guarantee our customers an excellent price per operating hour. Aeolus. No matter what.



AEOLUS TYRES

Pirelli

We decided to take over Pirelli in 2017 in order to reinforce our position in the international tyre market. We thought it would be a good idea to harness the strengths of a large Asian brand with those of a renowned European brand. A smart move because it has put us in an even better position to meet the needs of the tyre market. A useful move because it has given a massive boost to our logistical & technological developments.

Total supplier

A tyre brand supplies tyres. Tyres in all sizes, with every pattern. Our products can be used anywhere for a variety of purposes. Truck and trailer tyres, OTR tyres, agricultural tyres, machine tyres, bus tyres, on and off-road tyres... you name it. This means you can do whatever you need, in all circumstances. Always.

Earth moving

Aeolus regularly develops new, modern and top quality tyres for the earth-moving sector. Tyres of a high standard, which meet the sector's strict requirements. The needs of our customers are always central when developing these top quality modern tyres. This results in premium casings, made using an excellent rubber

compound. Our tyres are robust & durable and synonymous with excellent performance.

Agriculture

The agricultural sector is always on the move, which means so are we. It is nice to be a front-runner, when it comes to developing a wide range of tyres (specials) with strong casings and ingenious patterns, but nothing more than that. That is why we always examine what is going on around us: looking for opportunities and chasing innovations & developments. Because being a front-runner is about being smart. And you are smart if you remain on your toes and know what is happening in your surroundings. This is something we have always known.



Truck
Earth moving
Agriculture

Our tyres are for your benefit. For experts that know how rough outdoor terrains can be; for specialists familiar with the pain that accompanies bad roads. Day in, day out. That is why we develop the best performing, strongest and most innovative tyres. But also because we are able to. And when doing so, only the best is good enough. In a way, we see tyre patterns as the noise produced by a Harley Davidson. So stimulate, challenge or provoke us. We will do anything to achieve our ultimate goal: tyres for all weather conditions, all distances and all surfaces. Aeolus. No matter what.

NO MATTER WHAT



Quality

We develop and produce tyres in accordance with the international norms of renowned institutes and certifications. Our casing guarantee, as well as our partnership with Pirelli, guarantees high basic quality.



Availability

Just about all sizes and patterns are available from stock, which means our products are very easy to obtain. For instance, we always have 30,000 tyres in stock at our four different warehouses.



Service

Instead of empty promises, Aeolus offers proven quality: Personal advice from our qualified and helpful sales and service team.



Price

With core competencies like quality, sustainability and quality, we are the leading alternative for renowned premium brands.



Wide range

We have a very wide range of products, which offers solutions for almost all purposes involving trucks, earth-moving machines, agricultural machines as well as special vehicles.



Aeolus Casing Management

Environment-friendliness and sustainability can reap rewards for earth-moving companies. That is why we purchase casings that are suitable for tread renewal and dispose of useless casings in accordance with applicable regulations.



Research & development

Several hundred engineers and technicians are constantly working intensively to find new ways of optimising the tyres available in order to meet the demands of the market.

AEOLUS, YOURS TO TAKE...

- New tyres
- Used tyres
- Trade-in
- Rims
- Assembly



Aeolus OTR tyres

Loaders, graders, scrapers, mobile cranes, articulated or rigid dump trucks: we can offer a suitable solution for every machine & purpose. Better still: we have the largest range of OTR tyres in Europe.

Wheels for OTR tyres

Of course, tyres need wheels. That is why we also supply wheels in a variety of tyre sizes. Wheels (25"- 35") for almost every earth-moving machine. Need a special size or colour? Then we can simply produce the required wheel upon request.

Overview of the most common OTR wheels:

- 14.00-25 = 17.5R25
- 17.00-25 = 20.5R25
- 19.50-25 = 23.5R25
- 22.00-25 = 26.5R25
- 25.00-25 = 29.5R25

OTR tyre casings

Good for the environment and also good for your wallet: this is the perfect way to describe our Aeolus casing guarantee. Based on a stable casing structure, most of our tyres are suitable for high quality hot-renewal (Heuver-Maxfield). We use this approach when tyres reach the end of their first life phase. This means tyres can be given a second life for around half the price of a new tyre: sustainable, profitable and cost efficient. The perfect demonstration for how we recycle our tyres.

Size*	Aeolus Casings (1st grade)
15.5R25	€ 50,00
17.5R25	€ 50,00
20.5R25	€ 60,00
23.5R25	€ 75,00
26.5R25	€ 100,00
29.5R25	€ 125,00

* Valid for L3-L4-E3-E4

Furthermore, recycling allows tyres to be re-used rather than being thrown somewhere among nature. This once again demonstrates our objective of being a real alternative to the more renowned premium brands.



For all types of OTR tyres. For all sizes and a variety of uses. And what about a large range of OTR tyres as well as a sizeable stock of used OTR tyres.

Effective range

We'll let Erik Naber, our Earth-moving product specialist, explain: "In practice, machines are often leased out for short periods of time, or customers often want (relatively) cheap replacements when they puncture a tyre. In such cases, we have a large, fixed range of about 500 used OTR tyres. This range puts us in a unique position in the European market."

Top quality tyres

"All of the used tyres we purchase are thoroughly inspected in advance by qualified professionals", adds Naber. "This involves evaluating profile depth, damage and, of course, the casing. If necessary, we have them professionally repaired so they can be mounted immediately. Once they are released for sale, we guarantee that they will offer a considerable life-span."

Our range of used OTR tyres features 20" to 49" tyres by various brands, which are available in different types and pattern depths. Whenever available, we supply used tyres for loaders, rigid and articulated dump trucks and graders.

Why rely on used tyres?

Used tyres are often also suitable for road-building and mining activities. The benefits?

- **Price**
Cost savings
- **Fast delivery**
Throughout the whole of Europe
- **Expertise**
Personal service by professionals
- **Choice and quality**
Used OTR tyres by all top brands, in all types



Erik Naber

Product specialist OTR tyres
(used and remoulds)

T: +31 (0)6 101 179 87

E: e.naber@aeolus-tyres.com



**BUILDING/
CONSTRUCTION**



MINING



PORT



Grader

A Snow
AL36
AL37
AE37
AGR20

P. 12
P. 13
P. 14
P. 15
P. 24



Loader

A Snow
AL36
AL37
AE37
AE39
AE47
AL53
AL58
AL59
AS50

P. 12
P. 13
P. 14
P. 15
P. 16
P. 19
P. 20
P. 21
P. 22
P. 23

AE47
AL53
AL58
AL59
AS50

P. 19
P. 20
P. 21
P. 22
P. 23



Articulated dump truck

AL36
AL37
AE37
AE39
AE47

P. 13
P. 14
P. 15
P. 16
P. 19

AE47

P. 19



Rigid dump truck

AE45
AE46

P. 17
P. 18

AE46

P. 18



Underground machine

AL53
AL58
AL59
AS50

P. 20
P. 21
P. 22
P. 23



Mobile crane

AR28

P. 25



Mobile excavator

AEX1
AGP23

P. 26
P. 27



Reach stacker

AIN47

P. 29



Straddle carrier

AIN47

P. 29

Aeolus AR28

THE ULTIMATE HEAVY DUTY TYRE

NO MATTER WHAT.

ROBUST CASING STRUCTURE

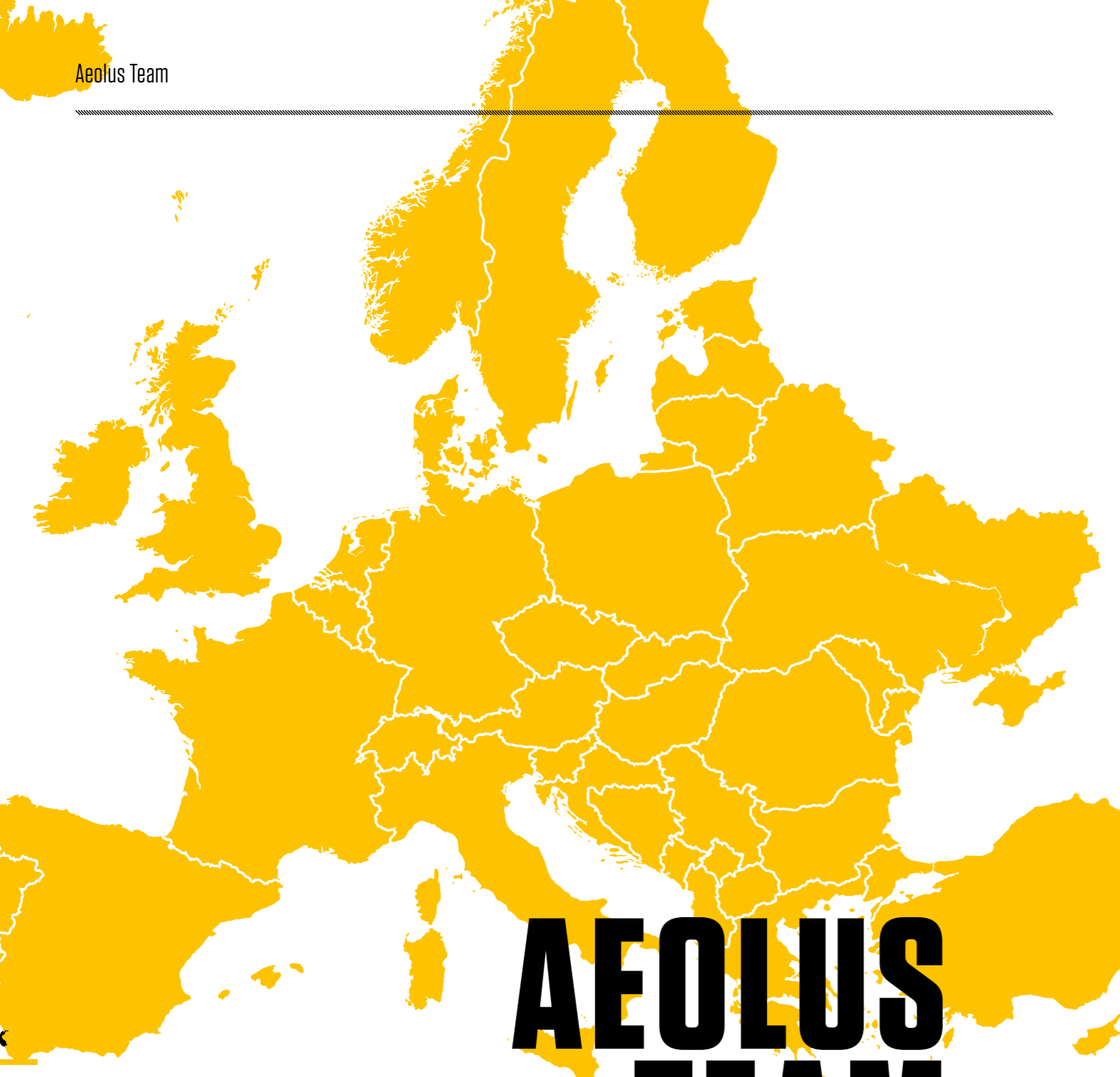
SYMMETRICAL BLOCK PATTERN

SPECIAL RUBBER COMPOUND TECHNOLOGY



Size	L/S Index	TRA Code	Rim	Dimensions		Pattern depth(mm)	Air pressure (bar)
				Width	Diameter		
385/95R25	170F	E-2	10.00/1.5	389	1363	24	9,00
445/95R25	174F	E-2	11.25/2.0	444	1486	26	9,00

AEOLUS-TYRES.COM



AEOLUS TEAM EUROPE

A top quality team is needed when developing and producing top quality tyres.

Thankfully, we already have such a team.

It's also good to know that our leading position is allowing us to attract the best people: professionals with the required expertise; people that value personal attention and pleasant customer contact.

Visit our website: www.aeolus-tyres.com

Aeolus AL37

EARTHMOVING TYRES

NO MATTER WHAT.





A SNOW

Powerful winter tyre

- Special rubber compound offers sustainable and robust pattern
- Self-cleaning tread in snow
- Perfect propulsion
- Excellent stability & few vibrations
- Good traction during heavy-duty use
- Superb traction in poor weather conditions



AL36

Excellent all-rounder

- Powerful tread design
- Tread compound resistant against wear and damage
- Self-cleaning tread
- Excellent traction
- Improved stability & fewer vibrations
- Perfect buoyancy



Size	L/S Index	Star rating	TRA Code	Recommended rim	Width (mm)	Diameter (mm)	Load-bearing capacity (kg - km/h)	Air pressure (Bar)	Pattern depth (mm)	TL/TT
17.5R25	153A8	**	G2	14.00 - 25/1.5	445	1345	3650 - 40	3.0	28	TL
17.5R25	182A2	**	L2	14.00 - 25/1.5	445	1345	8500 - 10	6.0	28	TL
20.5R25	161A8	**	G2	17.00 - 25/2.0	520	1492	4625 - 40	3.0	31	TL
20.5R25	193A2	**	L2	17.00 - 25/2.0	520	1492	11500 - 10	6.0	31	TL
23.5R25	170A8	**	G2	19.50 - 25/2.5	600	1620	6000 - 40	3.0	35	TL
23.5R25	201A2	**	L2	19.50 - 25/2.5	600	1620	14500 - 10	6.0	35	TL

Size	L/S Index	Star rating	TRA Code	Recommended rim	Width (mm)	Diameter (mm)	Load-bearing capacity (kg - km/h)	Air pressure (Bar)	Pattern depth (mm)	TL/TT
15.5R25	160B	**	E3	12.00 - 25/1.3	404	1272	4500 - 50	4.75	27	TL
15.5R25	176A2	**	L3	12.00 - 25/1.3	404	1272	7100 - 10	6.0	27	TL
17.5R25	167B	**	E3	14.00 - 25/1.5	445	1345	5450 - 50	4.75	28	TL
17.5R25	182A2	**	L3	14.00 - 25/1.5	445	1345	8500 - 10	6.0	28	TL
20.5R25	177B	**	E3	17.00 - 25/2.0	520	1492	7300 - 50	4.75	31	TL
20.5R25	193A2	**	L3	17.00 - 25/2.0	520	1492	11500 - 10	6.0	31	TL
23.5R25	185B	**	E3	19.50 - 25/2.5	600	1620	9250 - 50	4.75	35	TL
23.5R25	201A2	**	L3	19.50 - 25/2.5	600	1620	14500 - 10	6.0	35	TL



AL37



AE37



AL37

Excellent grip

- Tread compound resistance against wear & damage
- Reinforced side wall
- Self-cleaning tread
- Superior grip
- Excellent traction & buoyancy
- Improved stability & fewer vibrations
- Strong pattern design



AE37

Robust tyre

- Robust rubber compound
- Self-cleaning tread
- Low rolling resistance
- Long life-span
- Excellent traction & buoyancy
- Good stability & few vibrations



Size	L/S Index	Star rating	TRA Code	Recommended rim	Width (mm)	Diameter (mm)	Load-bearing capacity (kg - km/h)	Air pressure (Bar)	Pattern depth (mm)	TL/TT
17.5R25	167B	**	E3	14.00 - 25/1.5	445	1345	5450 - 50	4.75	30	TL
17.5R25	182A2	**	L3	14.00 - 25/1.5	445	1345	8500 - 10	6.0	30	TL
20.5R25	177B	**	E3	17.00 - 25/2.0	520	1494	7300 - 50	4.75	34	TL
20.5R25	193A2	**	L3	17.00 - 25/2.0	520	1494	11500 - 10	6.0	34	TL
23.5R25	185B	**	E3	19.50 - 25/2.5	600	1628	9250 - 50	4.75	38.5	TL
23.5R25	201A2	**	L3	19.50 - 25/2.5	600	1628	14500 - 10	6.0	38.5	TL
26.5R25	193B	**	E3	22.00 - 25/3.0	674	1772	11500 - 50	4.75	45.5	TL
26.5R25	209A2	**	L3	22.00 - 25/3.0	674	1772	18500 - 10	6.0	45.5	TL
29.5R25	200B	**	E3	25.00 - 25/3.5	748	1872	14000 - 50	4.75	48.5	TL
29.5R25	216A2	**	L3	25.00 - 25/3.5	748	1872	22400 - 10	6.0	48.5	TL

Size	L/S Index	Star rating	TRA Code	Recommended rim	Width (mm)	Diameter (mm)	Load-bearing capacity (kg - km/h)	Air pressure (Bar)	Pattern depth (mm)	TL/TT
550/65R25	182A2/170B	**	L3/E3	17.00 - 25/2.0	546	1420	8500 - 10 / 6000 - 50	4.25	44	TL



AE39



AE45



AE39

Innovative design, excellent traction

- Robust rubber compound resistant to incisions
- Self-cleaning tread
- Low rolling resistance
- Long life-span
- Excellent flotation & buoyancy
- Good stability & few vibrations



AE45

Robust tyre for rigid dump trucks

- Superior traction
- Excellent shock resistance & resistance against damage
- Extended life-span
- Improved driving comfort
- Self-cleaning tread
- Low noise production & reduced vibration
- Deep tread design



Size	L/S Index	Star rating	TRA Code	Recommended rim	Width (mm)	Diameter (mm)	Load-bearing capacity (kg - km/h)	Air pressure (Bar)	Pattern depth (mm)	TL/TT
650/65R25	180B	**	E3	19.50 - 25/2.5	650	1495	8000 - 50	4.25	41	TL
650/65R25	193A2	*	L3	19.50 - 25/2.5	650	1495	11500 - 10	4.75	41	TL
750/65R25	190B	**	E3	24.00 - 25/3.0	750	1610	10600 - 50	4.25	45.5	TL
750/65R25	202A2	*	L3	24.00 - 25/3.0	750	1610	15000 - 10	4.75	45.5	TL

Size	L/S Index	Star rating	TRA Code	Recommended rim	Width (mm)	Diameter (mm)	Load-bearing capacity (kg - km/h)	Air pressure (Bar)	Pattern depth (mm)	TL/TT
18.00R33	191B	**	E4	13.00 - 33/2.5	502	1858	10900 - 50	6.5	53.5	TL
24.00R35	209B	**	E4	17.00 - 35/3.5	678	2184	18500 - 50	6.5	59.5	TL



AE46



AE46

Powerful tyre for rigid dump trucks

- Excellent shock resistance & resistance against damage
- Special compound resistant to incisions
- Wide, aggressive tread design
- Self-cleaning tread
- For heavy dump trucks in the severest conditions



AE47



AE47

For heavy-duty work

- Robust rubber compound resistant to incisions
- Excellent grip, buoyancy & traction
- Fewer vibrations & improved stability
- Extended life-span
- For demanding conditions



Size	L/S Index	Star rating	TRA Code	Recommended rim	Width (mm)	Diameter (mm)	Load-bearing capacity (kg - km/h)	Air pressure (Bar)	Pattern depth (mm)	TL/TT
21.00R33	218A2/200B	**	E4	15.00-33/3.0	556	2000	14000-50	6.5	59	TL
27.00R49	240A2/223B	**	E4	19.50-49/4.0	740	2700	27250-50	6.5	73	TL

Size	L/S Index	Star rating	TRA Code	Recommended rim	Width (mm)	Diameter (mm)	Load-bearing capacity (kg - km/h)	Air pressure (Bar)	Pattern depth (mm)	TL/TT
23.5R25	185B	**	E4	19.50 - 25/2.5	600	1650	9250 - 50	4.75	45.5	TL
26.5R25	193B	**	E4	22.00 - 25/3.0	674	1785	11500 - 50	4.75	50	TL
29.5R25	200B	**	E4	25.00 - 25/3.5	750	1895	14000 - 50	4.75	57	TL



AL53



AL58



AL53

Robust pattern design, extra deep grooves

- Excellent shock resistance & resistance against damage
- Extended life-span
- Improved driving comfort
- Low noise production & reduced vibration
- Extra deep grooves
- For demanding conditions



AL58

Directional pattern design

- Self-cleaning tread
- Exceptional traction in rough and demanding conditions
- Extremely well-suited for-off-the road use
- Tread compound resistance against wear & incisions
- Long life-span
- Low operating costs
- Delivers maximum pulling power



Size	L/S Index	Star rating	TRA Code	Recommended rim	Width (mm)	Diameter (mm)	Load-bearing capacity (kg - km/h)	Air pressure (Bar)	Pattern depth (mm)	TL/TT
17.5R25	182A2	**	L5	14.00 - 25/1.5	445	1415	8500 - 10	6.0	61.5	TL
20.5R25	193A2	**	L5	17.00 - 25/2.0	520	1572	11500 - 10	6.0	69.5	TL
23.5R25	201A2	**	L5	19.50 - 25/2.5	600	1704	14500 - 10	6.0	77	TL
26.5R25	209A2	**	L5	22.00 - 25/3.0	676	1805	18500 - 10	6.0	91.5	TL
29.5R25	216A2	**	L5	25.00 - 25/3.5	750	1905	22400 - 10	6.0	96.5	TL
35/65R33	223A2	**	L5	28.00 - 33/3.5	895	2050	27250 - 10	6.5	87,5	TL

Size	L/S Index	Star rating	TRA Code	Recommended rim	Width (mm)	Diameter (mm)	Load-bearing capacity (kg - km/h)	Air pressure (Bar)	Pattern depth (mm)	TL/TT
20.5R25	193A2	**	L5	17.00 - 25/2.0	520	1530	11500 - 10	6.0	69.5	TL



AL59



AS50



AL59

Non-directional pattern design

- Tread compound resistance against wear & incisions
- Self-cleaning tread
- Long life-span
- Excellent buoyancy
- Improved stability & fewer vibrations
- Offers exceptional grip
- For demanding conditions



AS50

Pattern-free tread design, robust

- Robust rubber compound, resistant against incisions
- Exceptional for usage in mines and waste processing
- Long life-span
- Excellent buoyancy
- Improved stability & fewer vibrations
- For extremely demanding conditions



Size	L/S Index	Star rating	TRA Code	Recommended rim	Width (mm)	Diameter (mm)	Load-bearing capacity (kg - km/h)	Air pressure (Bar)	Pattern depth (mm)	TL/TT
23.5R25	201A2	**	L5	19.50 - 25/2.5	600	1704	14500 - 10	6.0	78	TL
26.5R25	209A2	**	L5	22.00 - 25/3.0	676	1805	18500 - 10	6.0	95	TL
35/65R33	223A2	**	L5	28.00 - 33/3.5	895	2080	27250 - 10	6.5	98	TL

Size	L/S Index	Star rating	TRA Code	Recommended rim	Width (mm)	Diameter (mm)	Load-bearing capacity (kg - km/h)	Air pressure (Bar)	Pattern depth (mm)	TL/TT
17.5R25	182A2	**	L5S	14.00 - 25/1.5	445	1415	8500 - 10	6.0	61.5	TL
23.5R25	201A2	**	L5S	19.50 - 25/2.5	600	1704	14500 - 10	6.0	77	TL
26.5R25	209A2	**	L5S	22.00 - 25/3.0	676	1805	18500 - 10	6.0	91.5	TL
29.5R25	216A2	**	L5S	25.00-25/3.5	750	1905	22400-10	6	96.5	TL
18.00R25	204A2	**	L5S	13.00-25/2.5	502	1706	16000-10	6	77	TL



AGR20

Radial tyre for graders

- Excellent buoyancy
- Few vibrations & high stability
- Self-cleaning tread
- Non-directional pattern
- Maximum traction



Size	L/S Index	Star rating	TRA Code	Recommended rim	Width (mm)	Diameter (mm)	Load-bearing capacity (kg - km/h)	Air pressure (Bar)	Pattern depth (mm)	TL/TT
14.00R24	153A8	*	G2	8.00TG - 24	360	1374	3650 - 40	3.75	25	TL



AR28

Mobile cranes

- Long life-span
- Lower rolling resistance
- Excellent resistance against damage
- Suitable for speeds up to 80km/h



Size	L/S Index	Star rating	TRA Code	Recommended rim	Width (mm)	Diameter (mm)	Load-bearing capacity (kg - km/h)	Air pressure (Bar)	Pattern depth (mm)	TL/TT
385/95R25	170F	***	E2	10.00 - 25/1.5	389	1363	6000 - 80	9.0	23.5	TL
445/95R25	174F	***	E2	11.25 - 25/2.0	444	1486	6700 - 80	9.0	25	TL



AEX1



AEX1

Mobile excavators

- Excellent stability during double assembly
- Good traction & self-cleaning pattern for various surfaces
- Strong casing structure that reduces wear & damage



AGP23



AGP23

Mobile excavators, mini loaders and Unimogs

- Excellent traction
- Excellent self-cleaning properties
- Directional tread profile
- Suitable for all-round use



Size	L/S Index	Recommended rim	Width (mm)	Diameter (mm)	Load-bearing capacity (kg - km/h)		Air pressure (bar)		Pattern depth (mm)	TL/TT
					Single	Double	Single	Double		
10.00-20	153A8	7.50V-20	278	1055	3000	2650	810	740	22.5	TT

Size	L/S Index	TRA-Code	Rim	Dimensions		Loaded radius (mm)	Rolling circumference (mm)
				Width (mm)	Diameter (mm)		
445/65R22.5	169F	E-7	14.00-22.5	438	1178	518	3552

445/65R22.5 / AGP23

Bar	Air pressure (bar) / Load-bearing capacity (kg)								
	4,0	4,5	5,0	5,5	6,0	6,5	7,0	7,5	7,9
10 km/h	6390	7000	7580	8120	8640	9135	9620	10080	10440
20 km/h	5325	5835	6315	6765	7200	7615	8020	8400	8700
30 km/h	4440	4865	5265	5640	6000	6345	6680	7000	7250
40 km/h	4085	4475	4840	5185	5520	5835	6145	6440	6670
50 km/h	3975	4355	4715	5050	5375	5685	5985	6270	6495
65 km/h	3815	4180	4525	4850	5160	5455	5745	6020	6235
80 km/h	3550	3890	4210	4510	4800	5075	5345	5600	5800

INDUSTRIAL TYRES



AIN47



AIN47

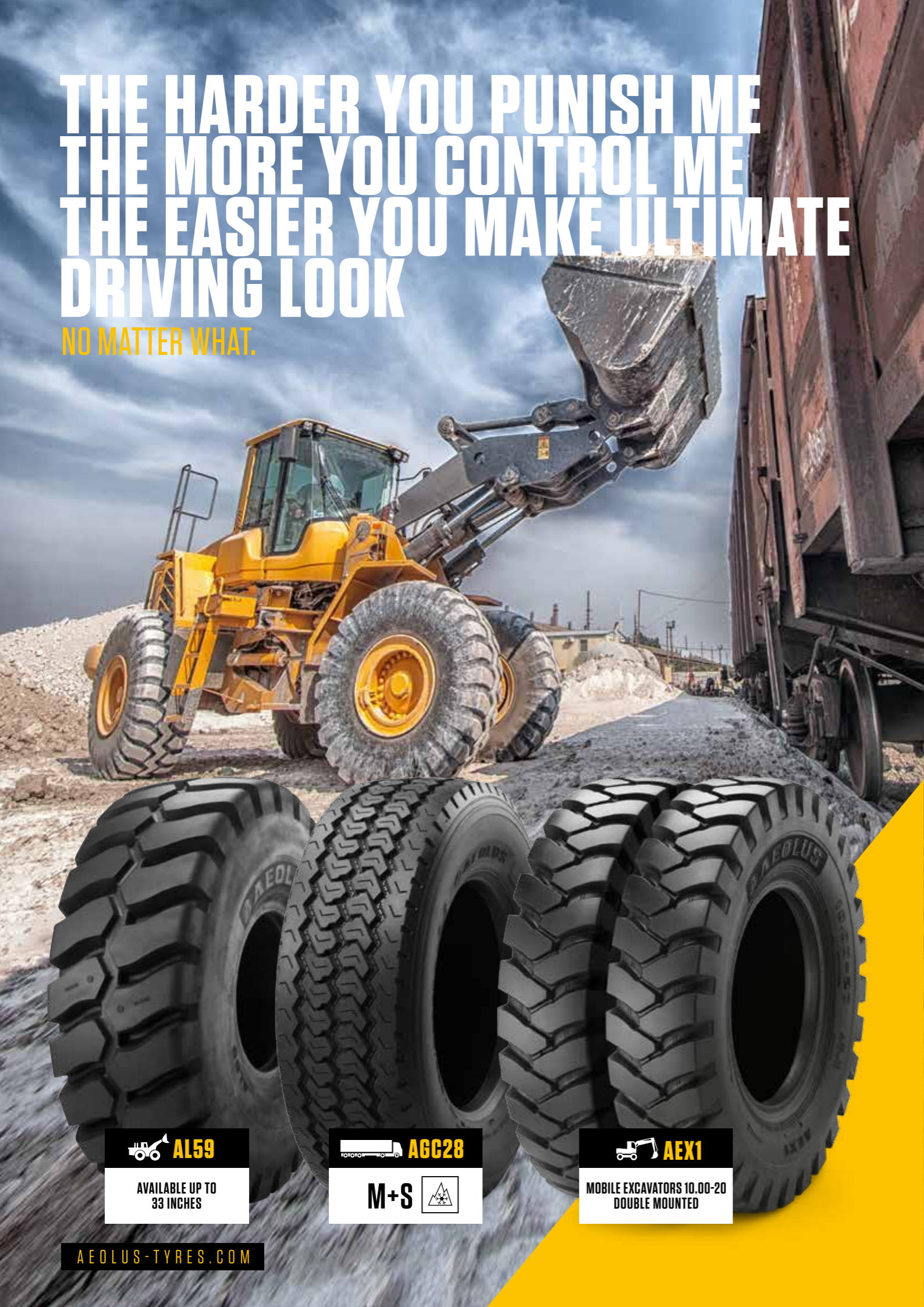
Industrial applications & use in ports

- Robust rubber compound resistant to over-heating
- Unique heel design
- Improved stability
- Uniform wear pattern
- Reinforced casing
- Long life-span



Size	L/S Index	Star rating	TRA Code	Recommended rim	Width (mm)	Diameter (mm)	Load-bearing capacity (kg - km/h)	Air pressure (Bar)	Pattern depth (mm)	TL/TT
14.00R24	193A5	***	IND4	10.00 - 24/1.5	380	1420	11500 - 25	10.0	47.5	TL
16.00R25	200A5	***	IND4	11.25 - 25/2.0	430	1552	14000 - 25	10.0	53	TL
18.00R25	207A5	***	IND4	13.00 - 25/2.5	502	1674	17500 - 25	10.0	63.5	TL
18.00R33	214A5	***	IND4	13.00 - 33/2.5	502	1890	21200 - 25	10.0	71.5	TL

**THE HARDER YOU PUNISH ME
THE MORE YOU CONTROL ME
THE EASIER YOU MAKE ULTIMATE
DRIVING LOOK**
NO MATTER WHAT.



WHAT IS THE DIFFERENCE BETWEEN RADIAL AND DIAGONAL TYRES?

Radial tyres

Radial tyres have been in production since 1946, when there was need for flexible tyres that could absorb more shocks from road surfaces. But the tyres are also stronger, which means more of the machine's power can be used. In radial tyres, steel cord plies are placed on the heel of the tyre, and a belt is placed across the casing. Because cord plies are placed directly on top of each other, the side walls these tyres remain very flexible. The image shows the various layers featured in a radial tyre. The bottom layer features steel cord plies and gives the tyre its most important properties.

Diagonal tyres

Diagonal tyres have been used as an alternative to full rubber tyres since 1898. Diagonal tyres consist of casing layers made from nylon cord. They are placed diagonally across each other in the tread and the side walls. Diagonal tyres are primarily used, for example, to perform activities in ports (reach stacker). The image shows how the various layers are placed diagonally on top of each other. The technical details mentioned on the following pages (see images and tables) comply with currently applicable international ISO and ETRTO norms. Other tyre information complies with DIN or WdK guidelines.

The advantages of radial tyres:

- Good steering and better road contact
- Improved driving comfort thanks to flexible side wall
- Low heat development in the tyre at high speeds
- Higher resistance against tread-related damage
- Lower fuel consumption

Disadvantages of radial tyres:

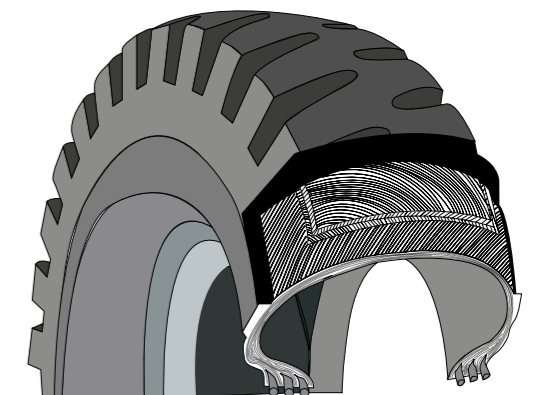
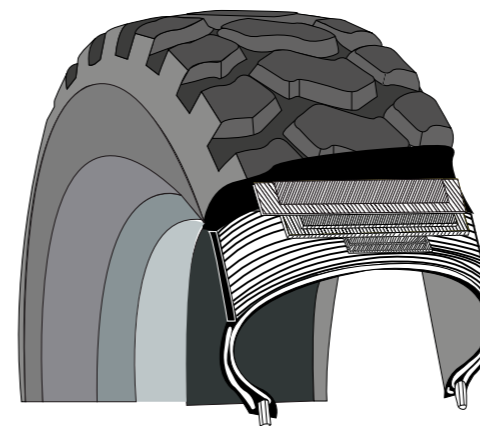
- The soft side walls are susceptible when, for example, vehicles collide with curbstones
- Minor bumps on road surfaces are dealt with less effectively because radial tyres feature a steel belt

Advantages of diagonal tyres:

- High vehicle stability
- Higher resistance against side wall damage

Disadvantages of diagonal tyres:

- Higher rolling resistant, which means the tyre quickly heats up
- Reduced comfort due to the tyre's rigidity
- Increased fuel consumption



AL59

AVAILABLE UP TO
33 INCHES

AGC28

M+S

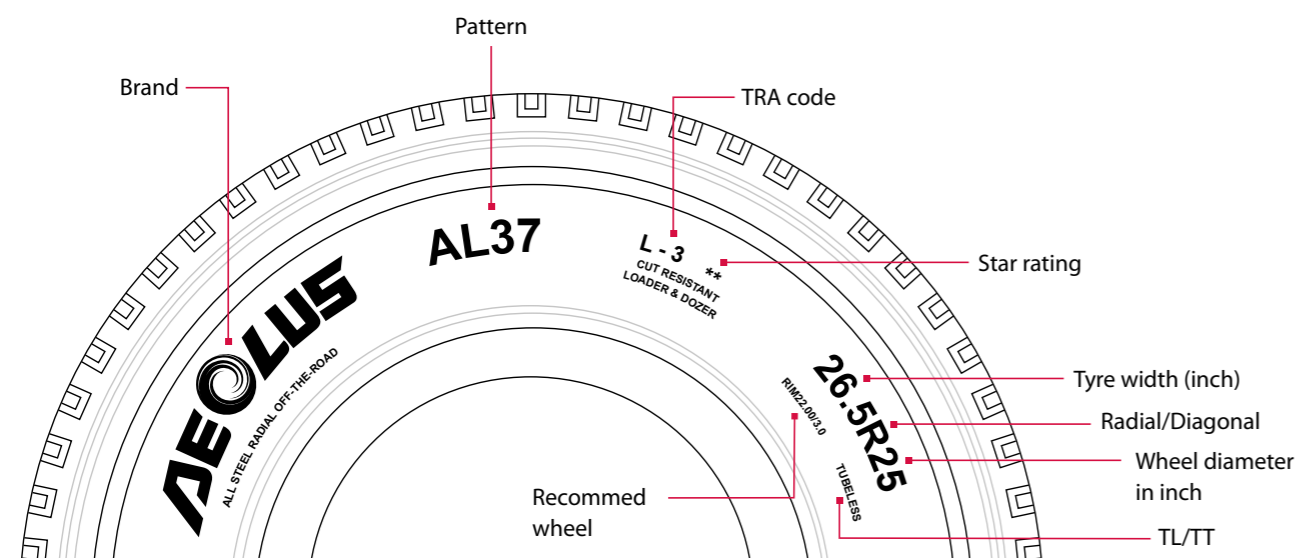
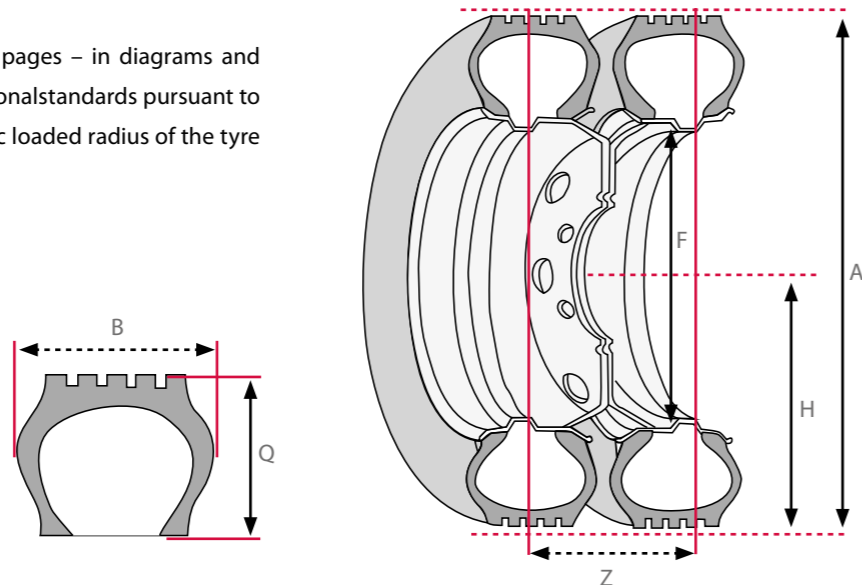
AEX1

MOBILE EXCAVATORS 10.00-20
DOUBLE MOUNTED

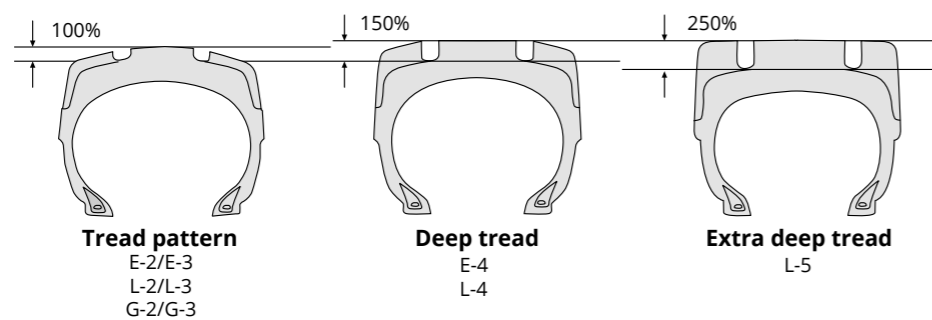
READING TYRES

The technical data provided on the following pages – in diagrams and tables – corresponds to the renowned international standards pursuant to ISO and ETRTO. Other tyre data such as the static loaded radius of the tyre is in accordance with DIN or WdK guidelines.

- A** External diameter
- B** Width
- H** Loaded radius
- F** Rim diameter
- Q** Cross section
- Z** Minimum distance, twin tyres



Tread depth TRA classification



Aeolus AE77

THE ULTIMATE AGRICULTURE TYRE

NO MATTER WHAT.

Robust, durable and reliable? Check. Highly suitable for use on off-road vehicles & crashtenders? Check. Heavy loads and high speeds? No problem.



Size	L/S Index	TRA Code	Rim	Dimensions		Load capacity (kg) 80 km/h	Tyre pressure (kPa) 80 km/h	Pattern depth (mm)	TL/TT
				Width	Diameter				
24R20.5	176F	E-7	18.00	600	1370	7100	590	21	TL
525/65R20.5	173F	E-7	16.00	520	1200	6500	800	21	TL
445/65R22.5	169F	E-7	14.00	443	1149	5800	800	21	TL

LOAD INDEX

Load index	Load-bearing capacity in kg
100	800
101	825
102	850
103	875
104	900
105	925
106	950
107	975
108	1.000
109	1.030
110	1.060
111	1.090
112	1.120
113	1.150
114	1.180
115	1.215
116	1.250
117	1.285
118	1.320
119	1.360
120	1.400
121	1.450
122	1.500
123	1.550
124	1.600
125	1.650
126	1.700
127	1.750
128	1.800
129	1.850
130	1.900
131	1.950
132	2.000
133	2.060
134	2.120
135	2.180
136	2.240
137	2.300
138	2.360
139	2.430
140	2.500
141	2.575
142	2.650
143	2.725

Load index	Load-bearing capacity in kg
144	2.800
145	2.900
146	3.000
147	3.075
148	3.150
149	3.250
150	3.350
151	3.450
152	3.550
153	3.650
154	3.750
155	3.875
156	4.000
157	4.125
158	4.250
159	4.375
160	4.500
161	4.625
162	4.750
163	4.875
164	5.000
165	5.150
166	5.300
167	5.450
168	5.600
169	5.800
170	6.000
171	6.150
172	6.300
173	6.500
174	6.700
175	6.900
176	7.100
177	7.300
178	7.500
179	7.750
180	8.000
181	8.250
182	8.500
183	8.750
184	9.000
185	9.250
186	9.500
187	9.750

Load index	Load-bearing capacity in kg
188	10.000
189	10.300
190	10.600
191	10.900
192	11.200
193	11.500
194	11.800
195	12.150
196	12.500
197	12.850
198	13.200
199	13.600
200	14.000
201	14.500
202	15.000
203	15.500
204	16.000
205	16.500
206	17.000
207	17.500
208	18.000
209	18.500
210	19.000
211	19.500
212	20.000
213	20.600
214	21.200
215	21.800
216	22.400
217	23.000
218	23.600

SPEED INDEX

Code	mph	km/h
A1	3	5
A2	6	10
A3	9	15
A4	12	20
A5	16	25
A6	19	30
A7	22	35
A8	25	40
B	31	50
C	37	60
D	40	65
E	43	70
F	50	80
G	56	90
J	62	100
K	68	110
L	75	120
M	81	130
N	87	140
P	94	150
Q	100	160

AEOLUS-TYRES.COM

AEOLUS
NO MATTER WHAT